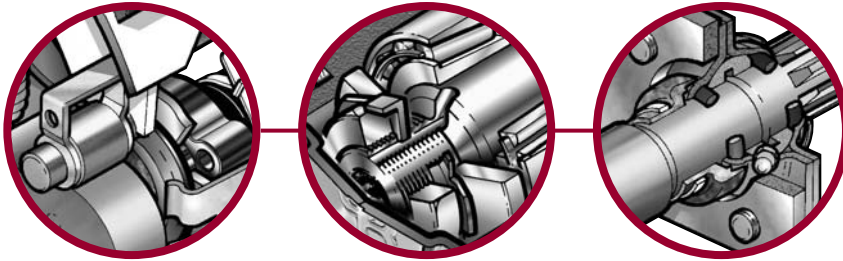


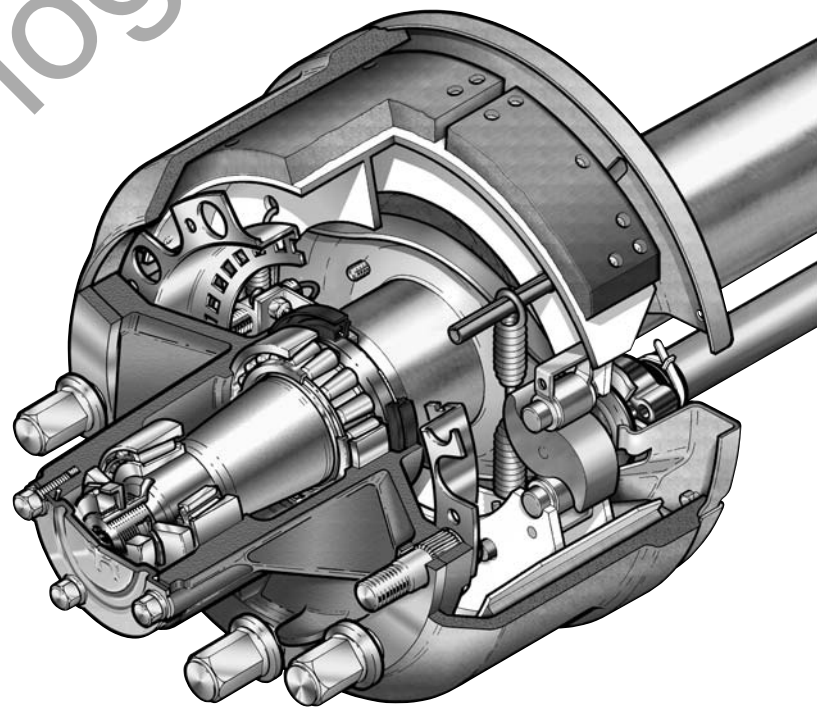


MERITOR™

ROR Trailer Products
Axle & Brake Parts List
TE Series Axles



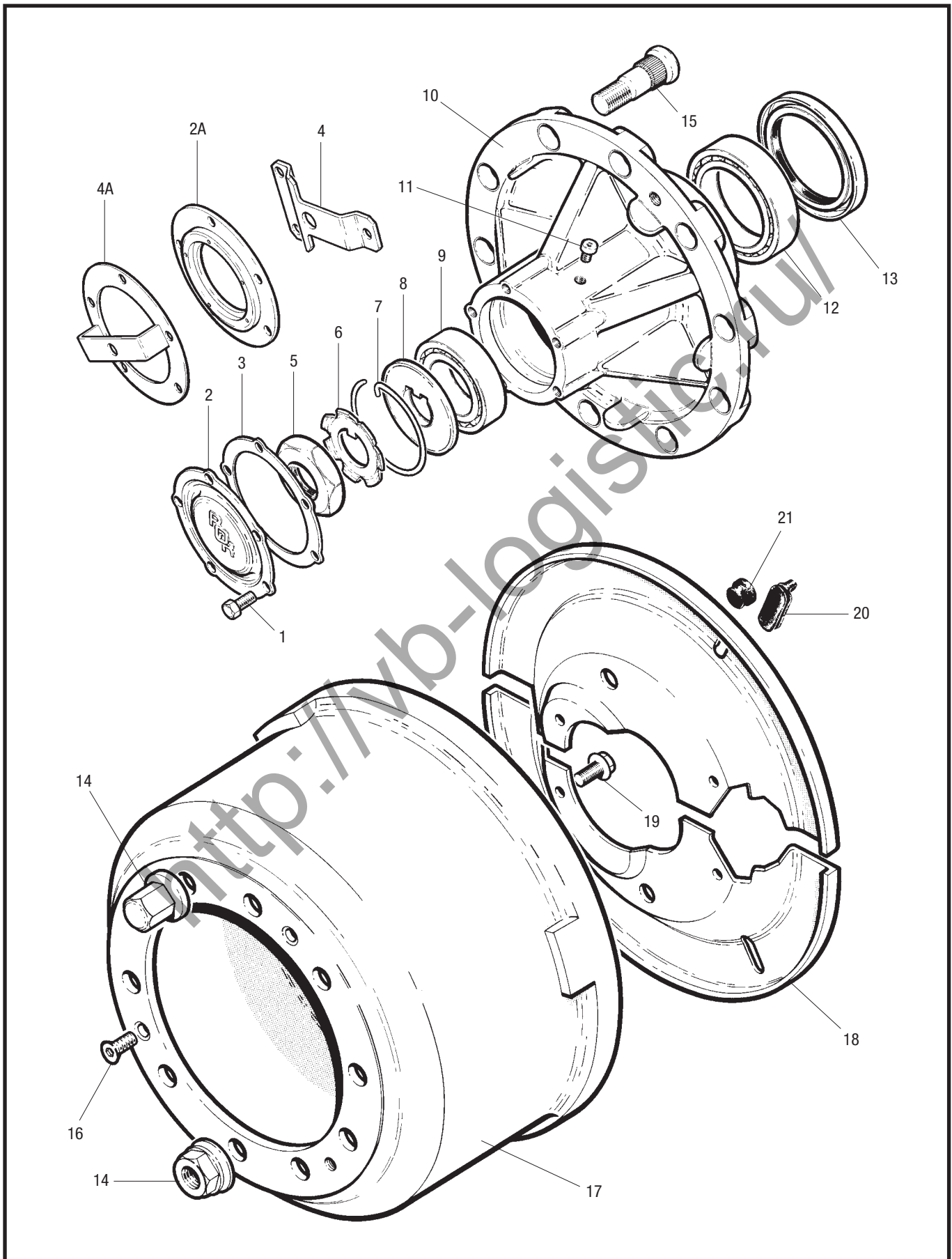
<http://vb-logistic.ru/>



ArvinMeritor™

TE Parts List

Hub Assembly



TE Parts List

Hub Assembly

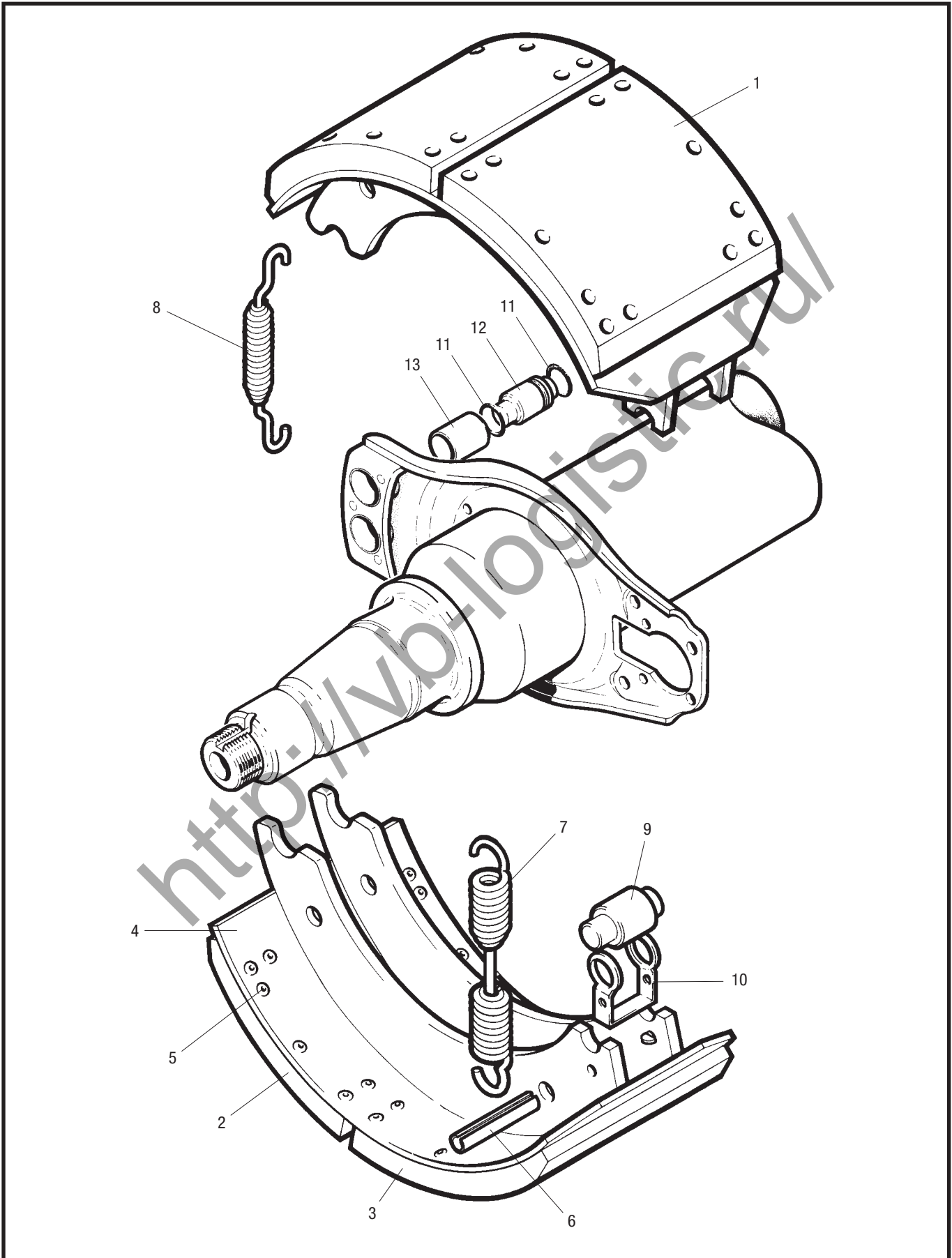


MERITOR™

Item	Description	Part Number
1	Screw, hub cap	99520005
2	Hub cap, grease-filled	21220727
2	Hub cap, grease-filled, hubodometer (Jost)	21221060
2A	Hub cap, oil-filled	21223807
3	Gasket, hub cap	21223797
4	Hubodometer mounting plate (Accutrak & Engler)	21222610
4A	Odometer mount, oil filled	21223835
5	End nut	21220759
6	Lock washer	21221061
7	Spring clip	21223127
8	Retaining washer	21220726
9	Bearing, outer	99041068B
10	Hub	14219784
10	Hub, oil-filled	21221162S
11	Plug, oil-filler	21221072
12	Bearing, inner	99041067B
13	Oil seal	21220158
14	Wheel nut, 32mm A/F, steel / aluminium wheel, open	21226395
14	Wheel nut, 32mm A/F, steel / aluminium wheel, closed	21226397
15	Wheel bolt, steel wheel	21220132
15	Wheel bolt, aluminium wheel	21220969
16	Screw, brake drum retaining	99539001
17	Brake drum	21220183V
18	Dust cover assembly	21220647/8
19	Screw, dust cover	99546002
20	Plug, inspection	21220719
21	Plug, blanking	21211385
22	Bearing grease, Total Multis Complex EP2 (not illustrated)	99538005

TE Parts List

Brake Assembly



TE Parts List

Brake Assembly

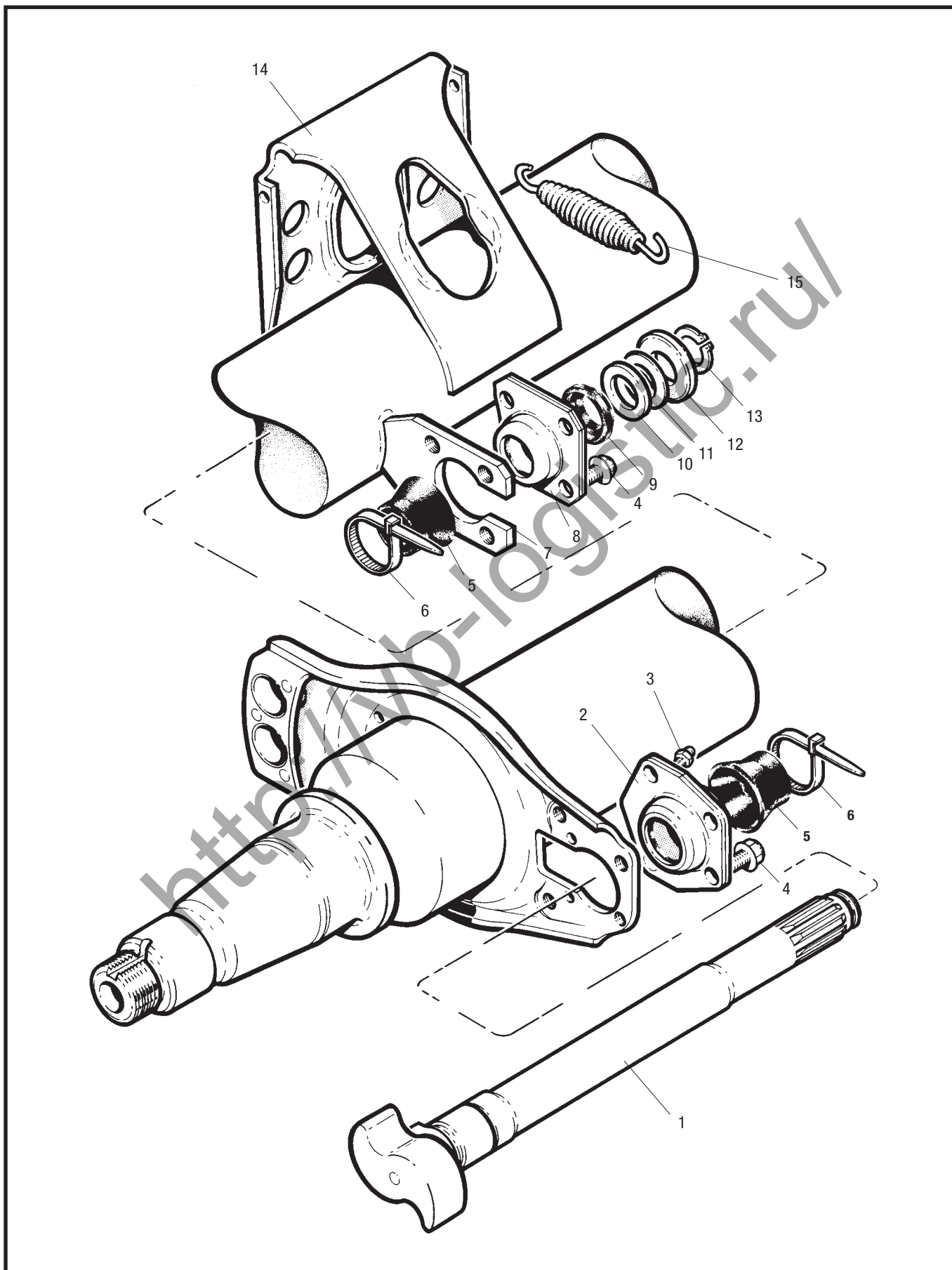


Item	Description	Part Number
1	Brake shoe lined assembly	15205536R
2	Brake lining, anchor end	} Brake lining kit (including rivets) BLKQR
3	Brake lining, cam end	
4	Brake shoe, unlined	15205533S
5	Rivet	21200761
6	Roll pin	21220171PK20
7	Return spring	21221224PK10
8	Retaining spring	21205194PK100
9	Cam roller	21006610
10	Retaining clip	21224831PK50
11	O-ring, anchor pin	21220668
12	Anchor pin	21205193G
13	Bush, anchor pin	21221028

<http://vb-logicistic.ru/>

TE Parts List

Camshaft Assembly – up to 31st March 2001





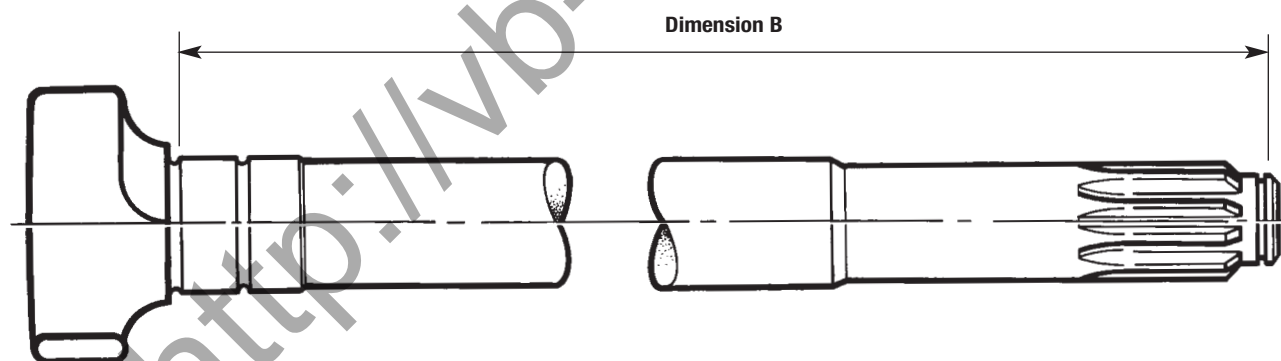
MERITOR™

TE Parts List

Camshaft Assembly – up to 31st March 2001

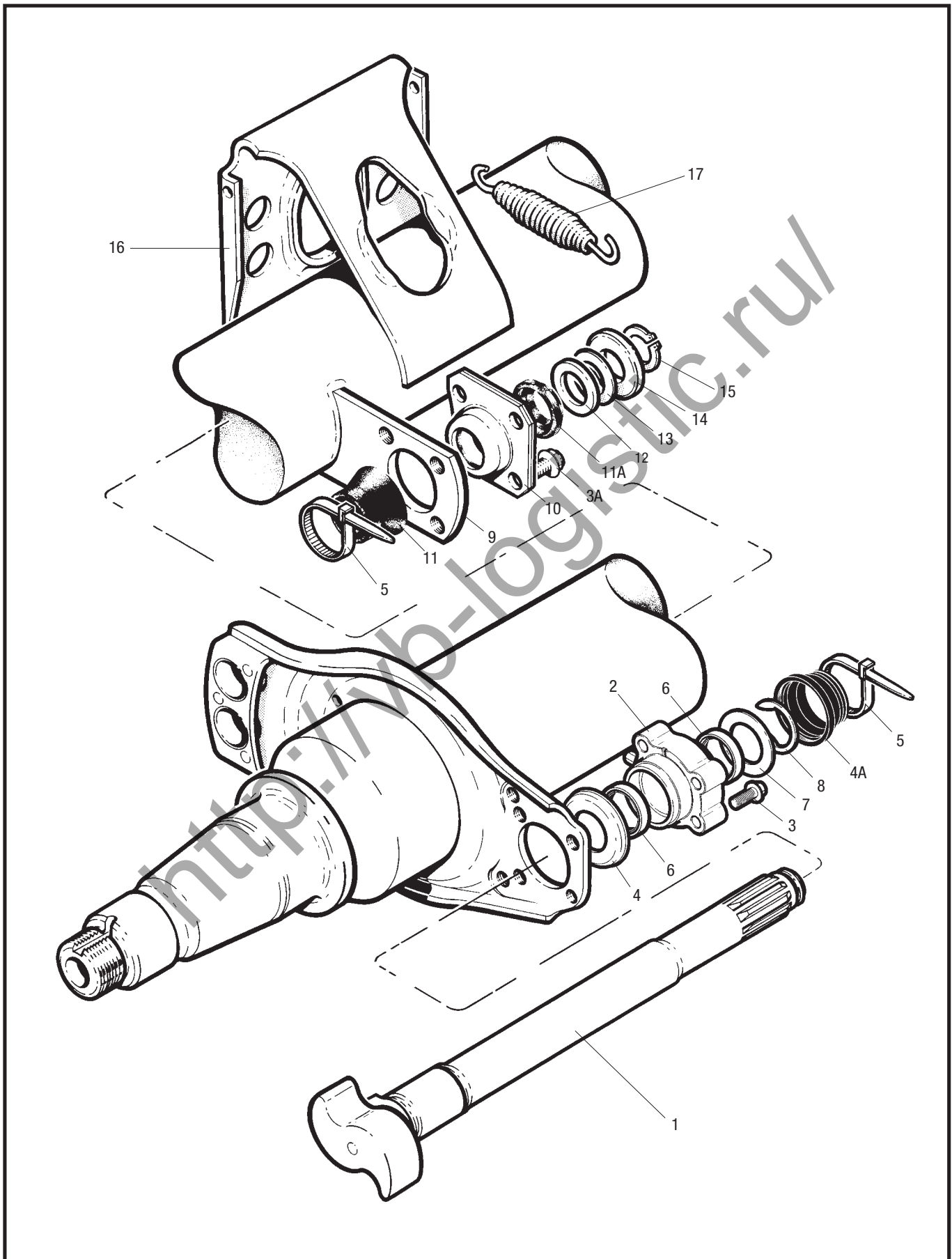
Item	Description	Part Number
1	Camshaft, RH, dimension B = 525.5mm	21221070S
1	Camshaft, LH, dimension B = 525.5mm	21221071S
1	Camshaft, RH, dimension B = 587.5mm	21221194S
1	Camshaft, LH, dimension B = 587.5mm	21221195S
2	Spherical bearing, head end	15224821
3	Grease nipple	99040016
3	Grease nipple (from April 1997)	21224520
4	Screw, spherical bearing	99546002
5	Boot, large	21204849
6	Tie-wrap	21221065
7	Camshaft bracket	21020300
8	Spherical bearing, spline end	15213430
9	Boot, small	21205667
10	Washer, spacing, thick	21006627
11	Washer, spacing, thin	21006662
12	Washer, retaining	21219862
13	Circlip	99507030
14	Air chamber bracket	21221004
15	Assister spring	21210215PK10
*16	25g Sachet MERITOR grease (not shown)	99226786
*16	400g Cartridge MERITOR grease (not shown)	99226787

*NB. Item 16 must be used on items 2 & 8.



TE Parts List

Camshaft Assembly – from 1st April 2001





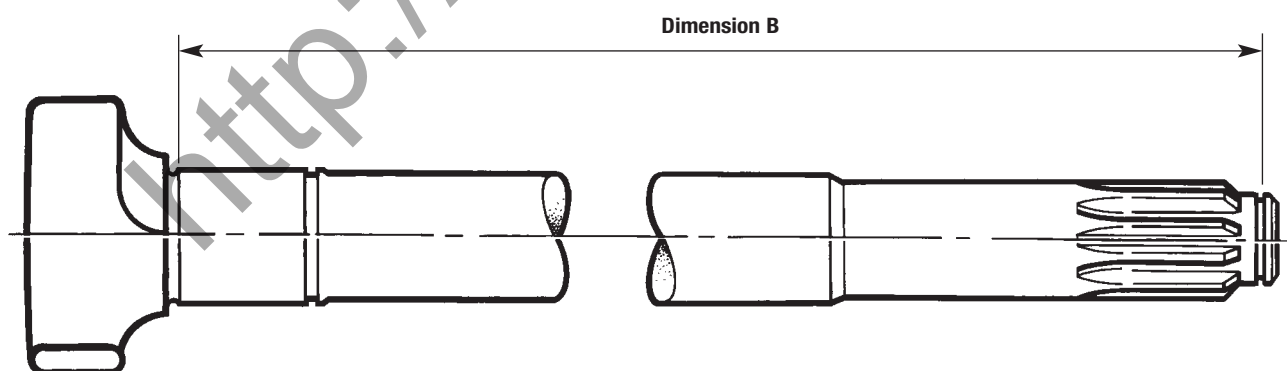
TE Parts List

Camshaft Assembly – from 1st April 2001

Item	Description	Part Number
1	Camshaft, RH, dimension B = 525.5mm	21227109
1	Camshaft, LH, dimension B = 525.5mm	21227110
1	Camshaft, RH, dimension B = 587.5mm	21227107
1	Camshaft, LH, dimension B = 587.5mm	21227108
2	Cam head bearing assembly**	A23105Q1213
3	Screw, bearing, cam end**	99546000
3A	Screw, bearing, spline end**	99546002
4	Washer seal**	1229K4795
4A	Boot, cam end**	2260K1155
5	Tie wrap**	21221065
6	Lip seal (part of item 2)	-
7	Washer**	1229S4101
8	Snap ring**	1229T4102
9	Camshaft bracket	21020300
10	Spline end bearing assembly**	15213430
11	Inner boot, spline end**	21204849
11A	Outer boot, spline end**	21205667
12	Washer, spacing, thick**	21006627
13	Washer, spacing, thin**	21006662
14	Retaining washer**	21219862
15	Circlip**	99507030
16	Air chamber bracket	21221004
17	Assister spring	21210215PK10
*18	25g Sachet MERITOR grease (not shown)	99226786
*18	400g Cartridge MERITOR grease (not shown)	99226787

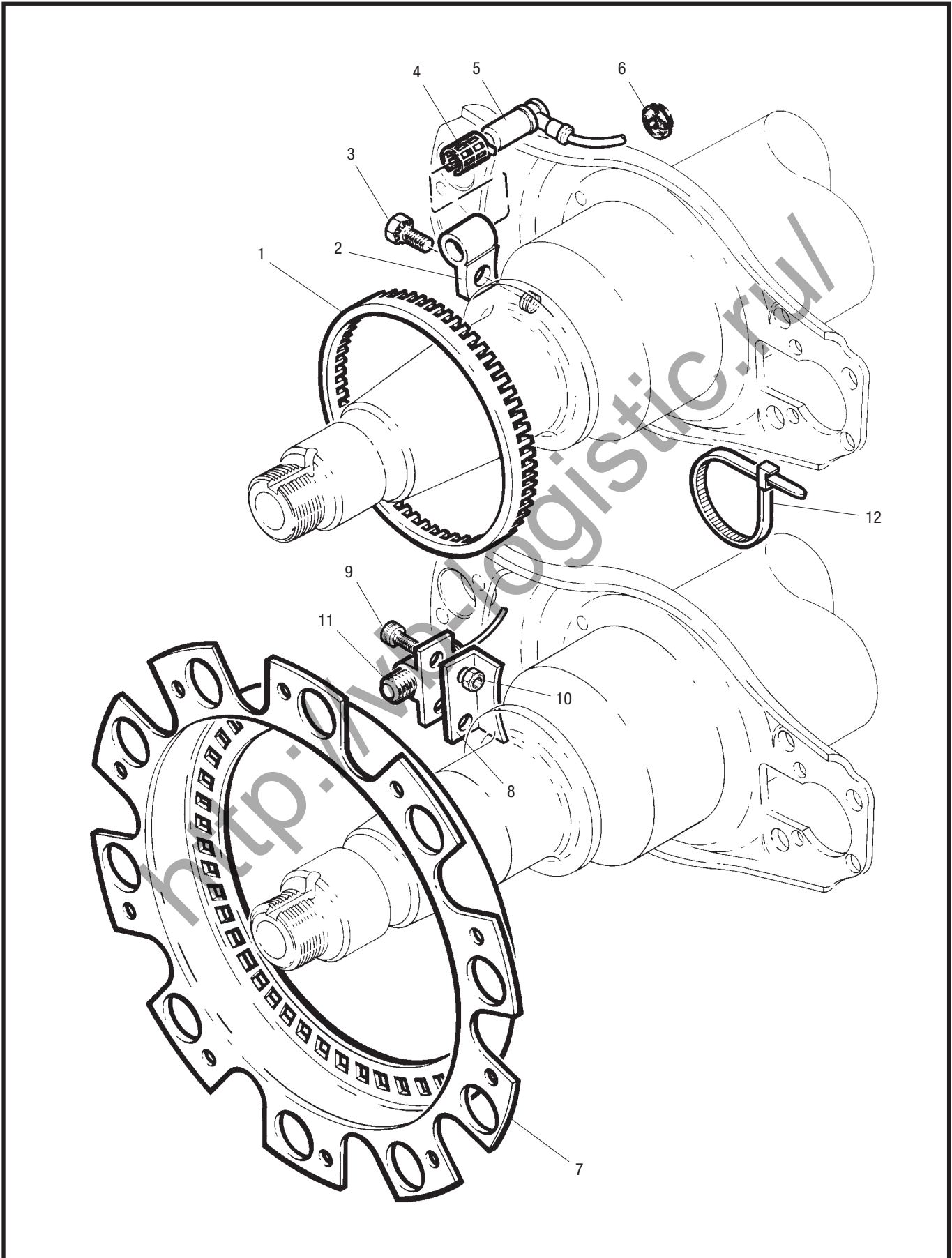
*NB. Item 18 must be used on items 2 & 10.

** All contained in service kit AXL 140



TE Parts List

ABS Assembly



TE Parts List

ABS Assembly



Item	Description	Part Number
1	Pole wheel, 100 tooth ABS	21221064
2	Sensor mounting block, 100 tooth ABS	22221063
3	Screw, sensor mounting block, 100 tooth ABS	99541001
4	Spring bush	21213036
5	Sensor assembly, 100 tooth ABS	21213034
6	Grommet, 60 window ABS	21220842
6	Strain relief bush, 100 tooth ABS	21222319
7	Exciter ring, 60 window ABS	21209515
8	Sensor mounting bracket, 60 window ABS	21222193
9	Screw, sensor mounting bracket, 60 window ABS	21209518
10	Locknut	21209519
11	Sensor assembly, 60 window ABS	21209517
12	Cable tie	21221065

<http://vb-logic.ru/>

TE Parts List

Identifying your Axle Type

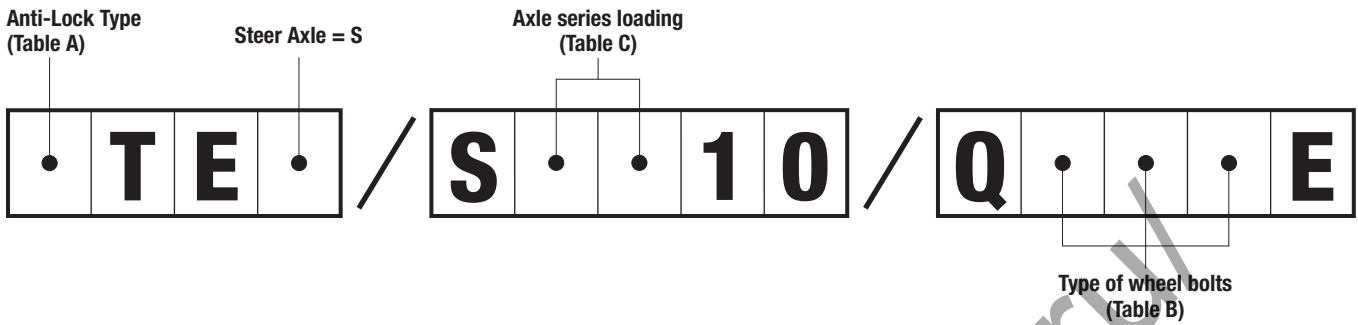


Table A – Type of Anti-lock Sensing

Axle Letter Code	Exciter Ring Type	Suitable For
A	60T Pressed Steel	Grau MGX2 & MGX2E Bendix MDR & MDRA
W	100T Solid Ring	Wabco Bosch Grau DGX & MGX100

Table C – Axle Series Loading

Axle Series	Nominal Highway Axle Rating kg	Wall Thickness mm	Maximum Offset* mm
90	9,300	13	460
93**	9,300	16	490

The axle ratings shown are for normal highway applications and any special application for installation must be approved by Meritor Design Engineering.

* NB: Offset = $\frac{\text{Track} - \text{spring centres}}{2}$

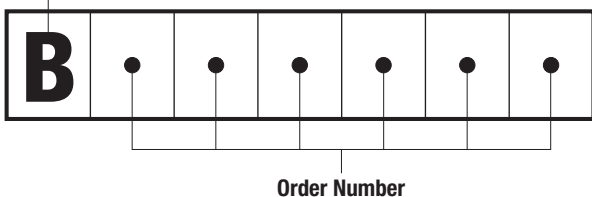
** For use with non Meritor air suspensions

Table B – Brake Coding Chart

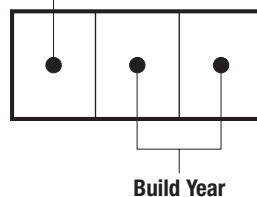
Axle Letter Code	ISO 4107 Wheel mounting type
MX	M22 x 1.5mm wheel studs for single steel wheels
MXA	M22 x 1.5mm wheel studs for single alloy wheels

Identifying the Serial Number

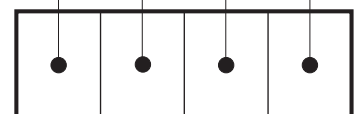
Non Asbestos Brake Lining



Build Month



Sequential Number



TE Parts List

Warranty



A comprehensive network of original parts distributors and service stations operate throughout Europe; this is supported internationally with agents strategically placed around the world.

All Meritor replacement parts obtained through original parts distributors are covered by a one year warranty.

For full warranty terms and conditions see 'Meritor Warranty Terms and Conditions' Publication No 4.84.1

Meritor reserve the right to make changes in specifications shown herein or add improvements at any time without notice or obligation.

PARTS SHOWN IN THIS SPARES LIST ARE MADE FROM DRAWINGS IN WHICH COPYRIGHT SUBSISTS. THE MAKING OF COPIES OF ANY OF THESE PARTS IS PROHIBITED.

© Meritor HVS Limited



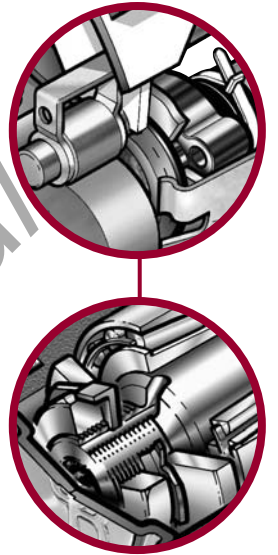
The high quality assurance management systems applied by Meritor are endorsed with the awarding of ISO 9001, Lloyd's Register Quality Assurance.

<http://vb-logistic.ru/>

<http://vb-logistic.ru/>

<http://vb-logistic.ru/>

<http://vb-logicistic.ru/>



ArvinMeritor

Commercial Vehicle Aftermarket AG
Neugutstrasse 89
8600 Dübendorf
Switzerland
Tel: +41 (0)44 824 8200
Fax: +41 (0)44 824 8265

ArvinMeritor

Commercial Vehicle Aftermarket Ltd.
Park Lane, Great Alne, Alcester
Warwickshire B49 6HT
U.K.
Tel: 0845 606 7733
Fax: 0845 606 8844

www.arvinmeritor.com

Descriptions and specifications were in effect at the time of publication and are subject to change without notice or liability. Meritor reserve the right to make design improvements, change or discontinue parts at any time.

© Copyright 2004
Meritor Automotive
All rights Reserved

Issued 08-04
Publication CVA-4.37.7 rev. 2

ArvinMeritor™